

**LIFTING CHARTS - Carry Decks**

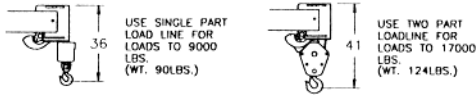
**BRODERSON MODEL IC-80-1F/2F/3F - 8.5 TON CAPACITY**

**IC-80-1F  
8' 2" - 20' 2" BOOM**

CAPACITIES APPLY TO OPERATION ON FIRM LEVEL SURFACE						
LOAD RADIUS FEET	MAIN BOOM OR EXTENSION CAPACITIES IN POUNDS					
	360 DEGREE ROTATION		OVER FRONT			
	ON RUBBER	ON OUTRIGGERS	ON RUBBER	ON OUTRIGGERS		
M 5	9600	17000	11700	17000		
A 6	7900	14500	10400	14500		
I 8	5750	10250	8400	10250		
N 10	4150	7700	6300	7700		
12	3100	6550	4650	6550		
B 14	2425	5550	3650	5550		
O 16	1975	4650	3000	4650		
O 18	1625	3950	2500	4150		
M 20	1400	3550	2150	3800		
10' 22	1275	3000	1900	3000		
24	1075	2750	1650	2800		
B 26	925	2450	1425	2600		
O 28	775	2150	1250	2400		
O 30	675	1950	1100	2250		
BOOM EXT. ANGLE	10 - FOOT BOOM EXTENSION - STRAIGHT OR OFFSET					
	MAIN BOOM ANGLE					
	0°	30°	45°	60°	70°	
	-0°	2250	2600	3200	5000	7000
	-15°	---	2400	2700	3500	4200
-30°	---	2250	2500	3000	3300	

\* Use 0° for straight boom extension.

- Use 0°, 15° or 30° for offset boom extension. Boom extension loads must not exceed main boom capacity.

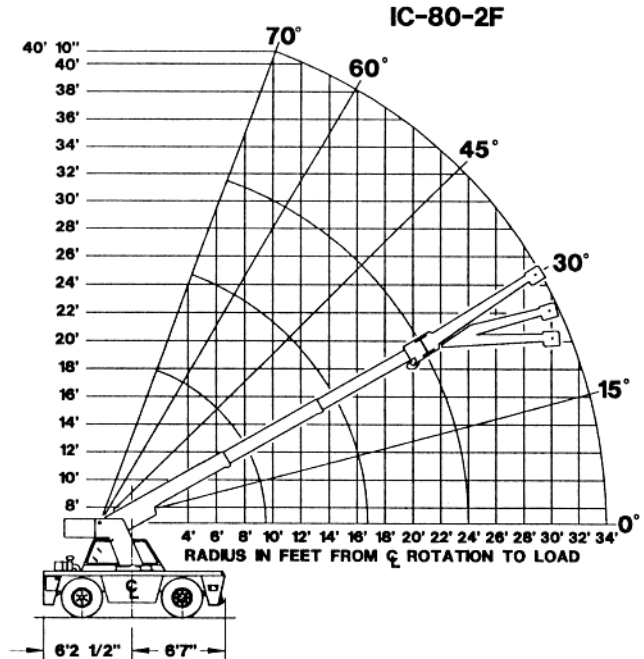
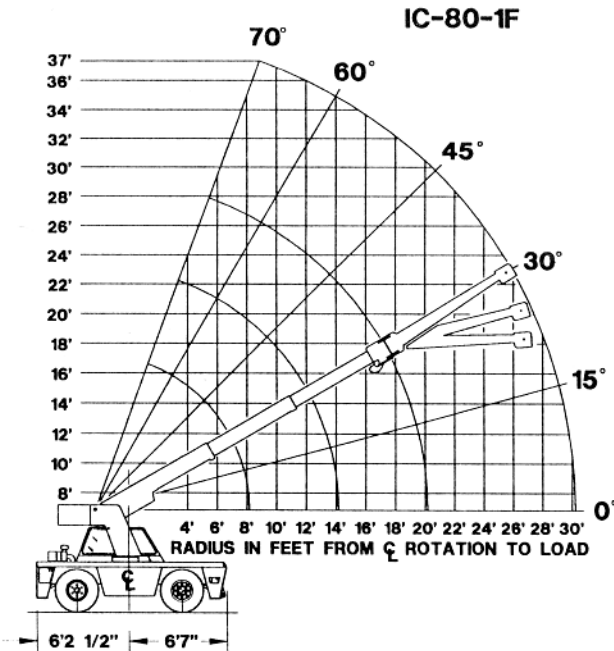
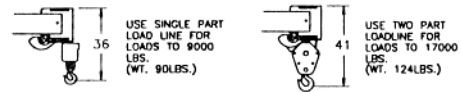


**IC-80-2F  
9' 6" - 24' 0"**

CAPACITIES APPLY TO OPERATION ON FIRM LEVEL SURFACE						
LOAD RADIUS FEET	MAIN BOOM OR EXTENSION CAPACITIES IN POUNDS					
	360 DEGREE ROTATION		OVER FRONT			
	ON RUBBER	ON OUTRIGGERS	ON RUBBER	ON OUTRIGGERS		
M 5	9500	17000	11600	17000		
A 6	7800	14500	10200	14500		
I 8	5500	10250	8250	10250		
N 10	3900	7700	6200	7700		
12	2900	6550	4550	6550		
B 14	2300	5550	3550	5550		
O 16	1850	4550	2850	4550		
O 18	1550	3950	2400	4050		
O 20	1300	3250	2050	3650		
M 22	1100	2875	1750	3300		
24	925	2475	1550	3100		
10' 26	850	2250	1350	2750		
28	700	2000	1175	2500		
B 30	600	1775	1025	2300		
O 32	500	1625	900	2100		
O 34	425	1400	800	1950		
BOOM EXT. ANGLE	10 - FOOT BOOM EXTENSION - STRAIGHT OR OFFSET					
	MAIN BOOM ANGLE					
	0°	30°	45°	60°	70°	
	-0°	2250	2600	3200	5000	7000
	-15°	---	2400	2700	3500	4200
-30°	---	2250	2500	3000	3300	

\* Use 0° for straight boom extension.

- Use 0°, 15° or 30° for offset boom extension. Boom extension loads must not exceed main boom capacity.



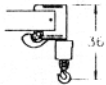


IC-80-3F  
11' 6" - 30' 0"

CAPACITIES APPLY TO OPERATION ON FIRM LEVEL SURFACE					
MAIN BOOM OR EXTENSION CAPACITIES IN POUNDS					
LOAD RADIUS FEET	360 DEGREE ROTATION		OVER FRONT		
	ON RUBBER	ON OUTRIGGERS	ON RUBBER	ON OUTRIGGERS	
5	9400	17000	11400	17000	
6	7550	14000	10000	14000	
8	5250	10000	8100	10000	
10	3600	7700	6100	7700	
12	2650	6100	4450	6100	
14	2050	5200	3400	5200	
16	1600	4400	2700	4400	
18	1250	3650	2200	3900	
20	1050	3050	1800	3400	
22	850	2650	1550	3050	
24	750	2300	1350	2800	
26	650	2050	1150	2550	
28	550	1850	1000	2350	
30	450	1650	900	2150	
32	350	1550	750	1950	
34	250	1400	650	1800	
36	200	1250	550	1650	
38	150	1100	450	1500	
40	100	1000	400	1400	
BOOM EXT. ANGLE	10 - FOOT BOOM EXTENSION - STRAIGHT OR OFFSET				
	MAIN BOOM ANGLE				
0°	2250	2600	3200	5000	7000
15°	---	2400	2700	3500	4200
30°	---	2250	2500	3000	3300

\* Use 0° for straight boom extension.

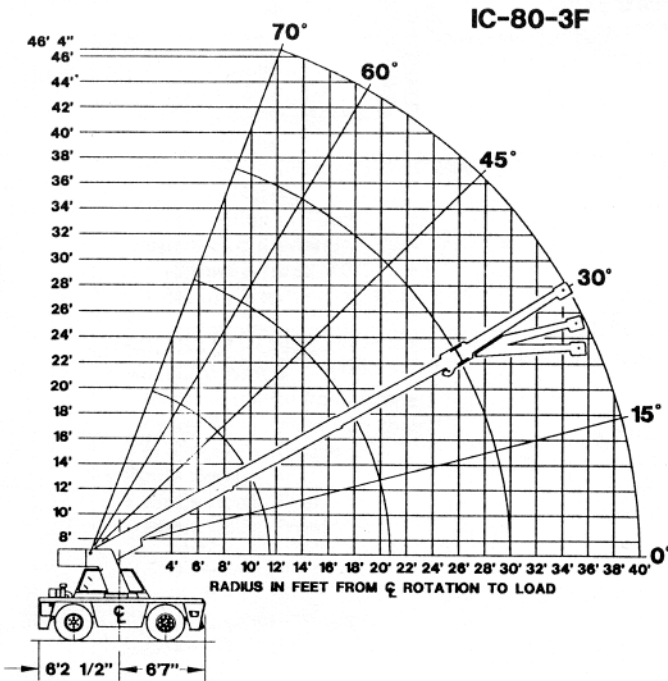
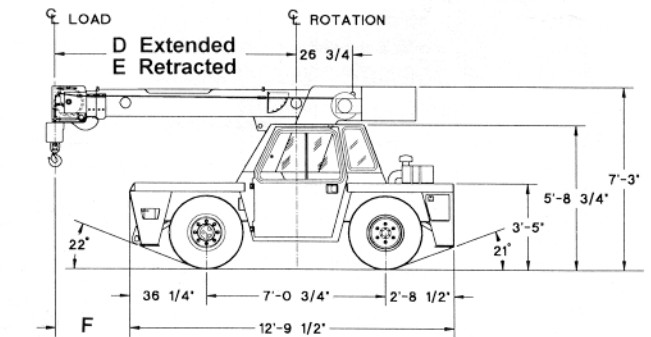
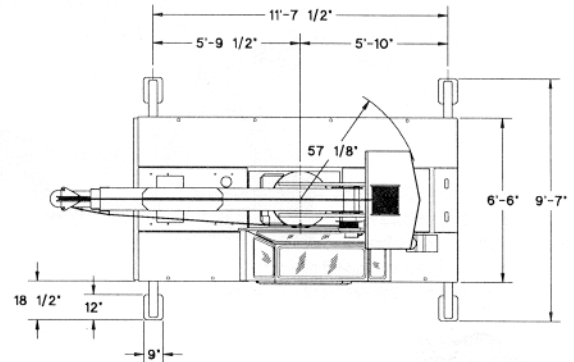
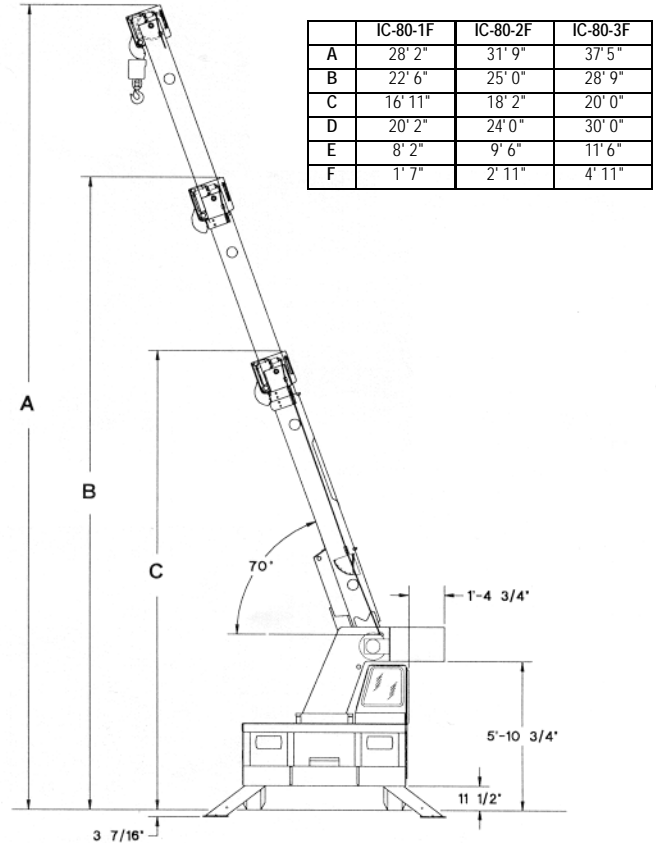
- Use 0°, 15° or 30° for offset boom extension. Boom extension loads must not exceed main boom capacity.



USE SINGLE PART LOAD LINE FOR LOADS TO 9000 LBS. (WT. 90LBS.)



USE TWO PART LOADLINE FOR LOADS TO 17000 LBS. (WT. 124LBS.)



Boom Hoist

Turret mounted planetary gear hoist hydraulically powered with a bare drum line pull of 10,000 lbs. at a line speed of 110 FPM. Includes downhaul weight, swivel hook and sheave block for 2-part line and 125 ft. of 9/16" hoist rope.